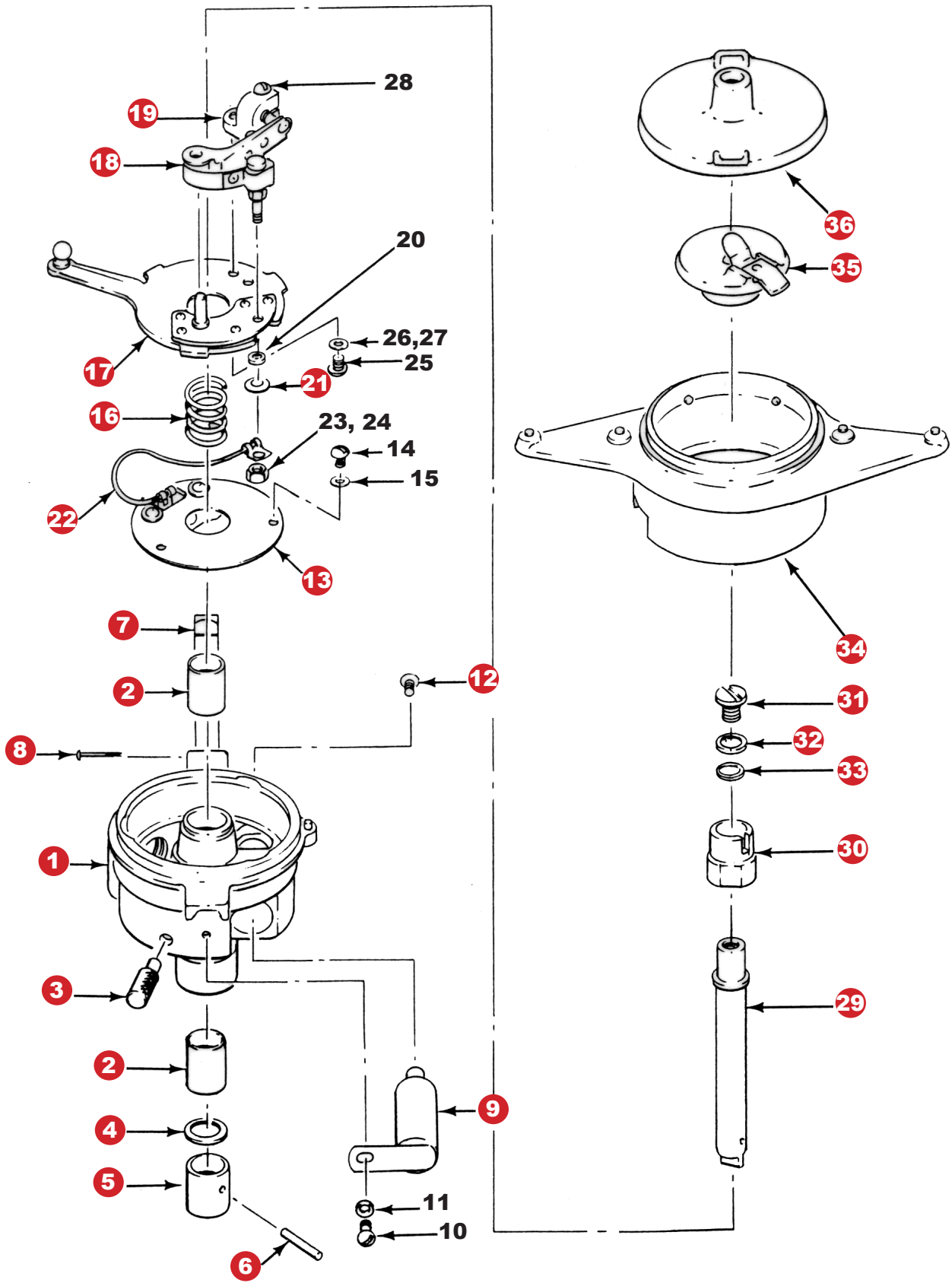


Model A Ford DISTRIBUTOR ASSEMBLY 1928-1931



**CLICKING ON THE RED NUMBERS OR CIRCLES WILL
TAKE YOU TO THE PRODUCT DESCRIPTION AND QUICK ORDER FORM**

<i>Index #</i>	<i>Part #</i>	<i>Description</i>	<i># Required</i>
1	A-12130-H	Distributor Housing	1
2	A-12132	Shaft Bushings	2
3	A-12135	Oiler	1
4	A-12181	Thrust Washer	1
5	A-12195	Shaft Sleeve	1
6	A-12196	Sleeve Pin	1
7	A-12144-S	Clamps	2
8	A-12145	Clamp Rivets	2
9	A-12300-SP	Condenser	1
10,11	Not Available	Screw & Lock Washer (part of A-12127-MB)	1
12	A-12300-MS	Copper Screw	1
13	A-12148-X	Lower Plate Assembly	1
14,15	Not Available	Screw & Lock Washer (part of A-12127-MB)	2
16	A-12137	Spring	1
17	A-12151-P	Upper Plate Assembly	1
18	A-12199	Points	1
19	A-12160	Point Block	1
20	Not Available	Insulating Washer (part of A-12127-MB)	1
21	A-12199-W	Insulating Washer	1
22	A-12148-W	Pigtail Wire	1
23,24	Not Available	Screw & Lock Washer (part of A-12127-MB)	1
25-28	Not Available	Hardware (part of A-12127-MB)	1
29	A-12178-S	Upper Shaft	1
30	A-12210	Cam	1
31,32	A-12211/13	Cam Screw & Lock Washer	1
33	A-12180	Thrust Washer	1
33	A-12181	Thrust Washer	1
34	A-12105	Distributor Body	1
35	A-12200	Rotor	1
36	A-12115	Distributor Cap	1
	A-12127-MB	Hardware Kit	1