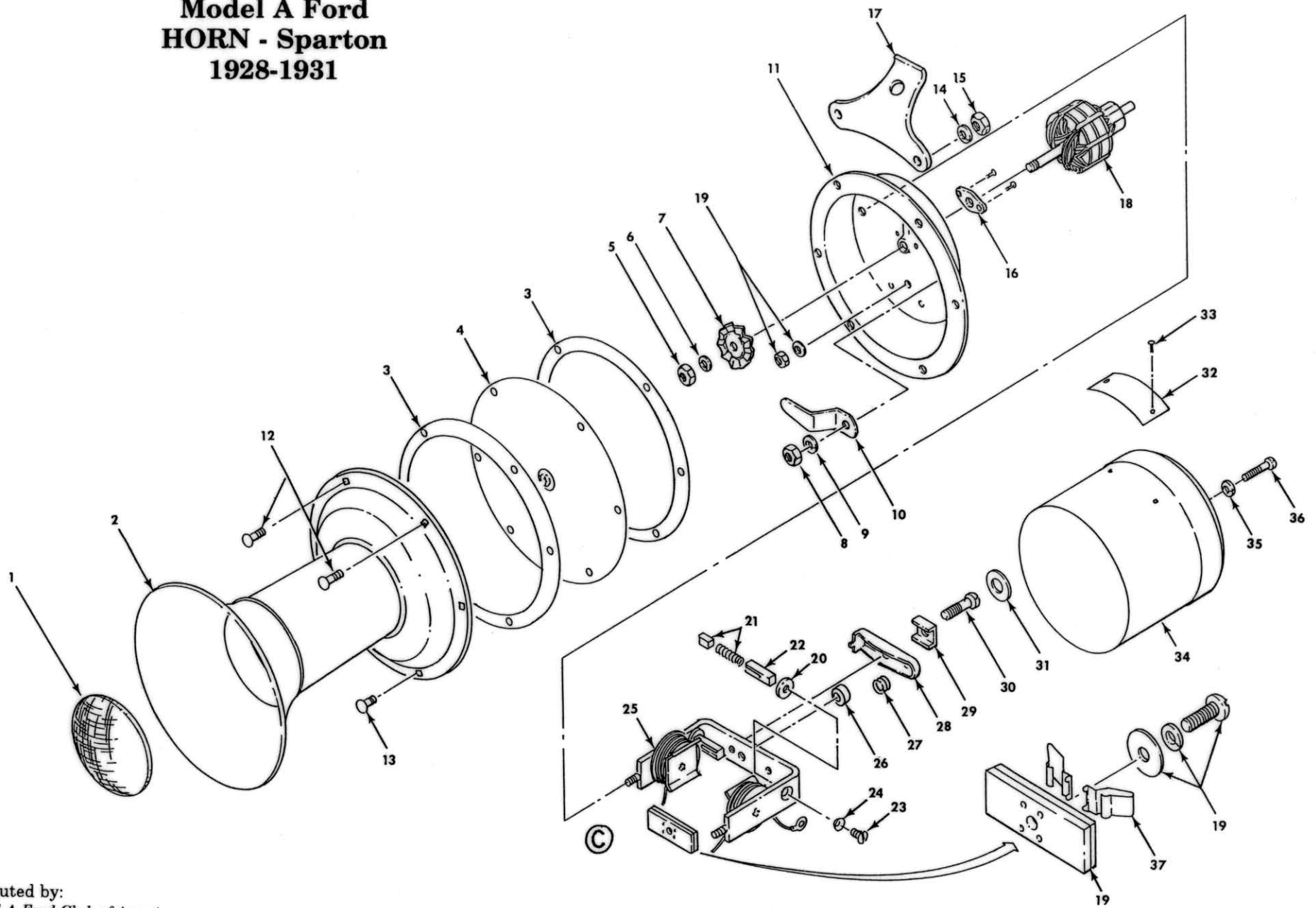


**Model A Ford  
HORN - Sparton  
1928-1931**



Distributed by:  
Model A Ford Club of America  
250 S. Cypress Street  
La Habra, California 90631

**Model A Ford  
HORN - Sparton  
1928-1931  
[P/N A-13802]**

<b>Index Number</b>	<b>Part Number</b>	<b>Nomenclature</b>	<b>Number Required</b>
1	-	Horn Projector Screen	1
2	A-13807	Horn Projector Assembly	1
3	A-13812	Diaphragm Gasket	2
4	A-13811	Diaphragm Assembly	1
5	A-13827-A	Serrated Washer Retainer Nut	1
6	-	Lockwasher	1
7	A-13826	Serrated Diaphragm Washer	1
8	-	Motor Assembly Nut	2
9	-	Motor Assembly Lockwasher	2
10	-	Spring Retainer	1
11	A-13815	Motor Assembly	1
12	A-20412-S2	Special Oval Head Bolt #12-24 ( x 19/32) - Long	2
13	A-20411-S2	Special Oval Head Bolt #12-24 ( x 13/32) - Short	4
14	A-21636-S3	Nut 7/16" ???	
15	A-22139-S3	Lockwasher 7/32" (1/16 x 27/64) Tangleproof	2
16	-	Felt Pad (attached by 2 split rivets)	1
17	A-13805	Horn Bracket	1
18	A-13816	Horn Motor Armature	1
19	A-13836	Terminal Insulating Block Assembly	1
20	-	Fiber Washer (Brush Insulator)	2
21	A-13817	Brush & Spring Assembly	2
22	-	Brush & Spring Holder	2
23	-	Screw	2
24	-	Conical Fiber Washer	2
25	-	Horn Field Assembly	1
26	-	Oiler Felt	1
27	-	Adjusting Screw Spring	1
28	A-13825	Adjusting Screw Bridge	1
29	A-13824	Adjusting Screw Serrated Spacer	1
30	A-13825	Special Adjusting Screw	1
31	-	Felt Washer (around adjusting screw inside cover)	1
32	A-13803	Sparton Horn Nameplate	1
33	-	Split Rivet - Nameplate	2
34	A-13809-C	Horn Cover - Sparton	1
35	A-22056	Lockwasher #8 (3/64 x 3/16)	1
36	A-20111-S7	Round Head Screw (#8-32 x 15/32) (beveled end)	1
37	A-13819	Horn Connector Terminal	1