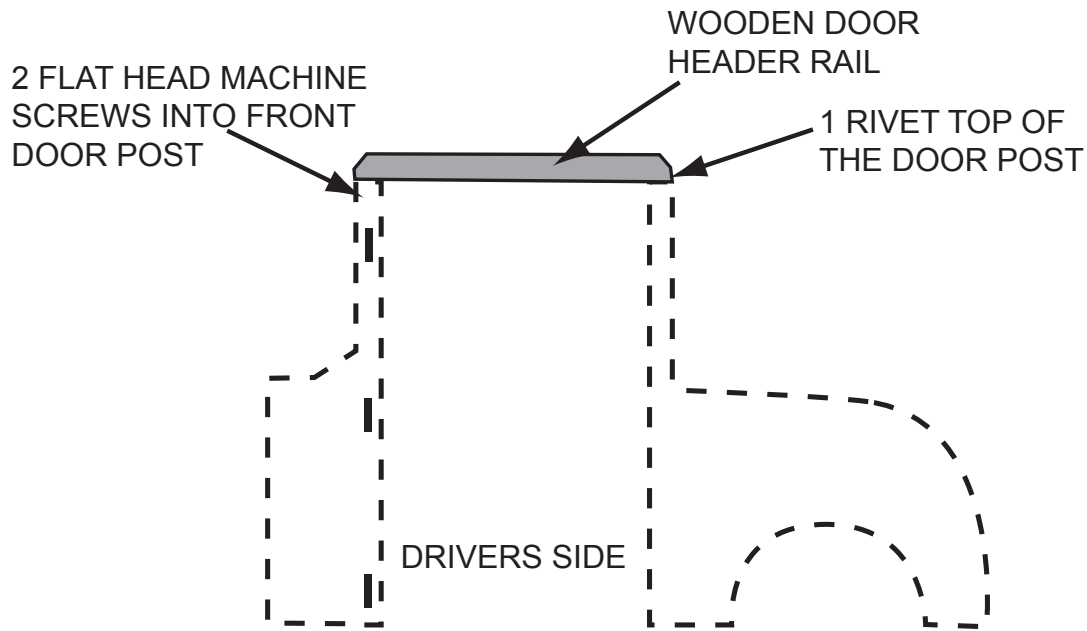


A-47772-L (-R) DOOR HEADER STRIPS



1930-31 STANDARD / DELUXE COUPE & SPORT COUPE

These door header strips go between the front door post and the rear door post. They secure on the front with 2 flat head slotted machine screws, and 1 rivet on the rear post top. The wooden header bolts to this with a metal trim piece under it. There are lefts and rights. Mounting hardware not included.