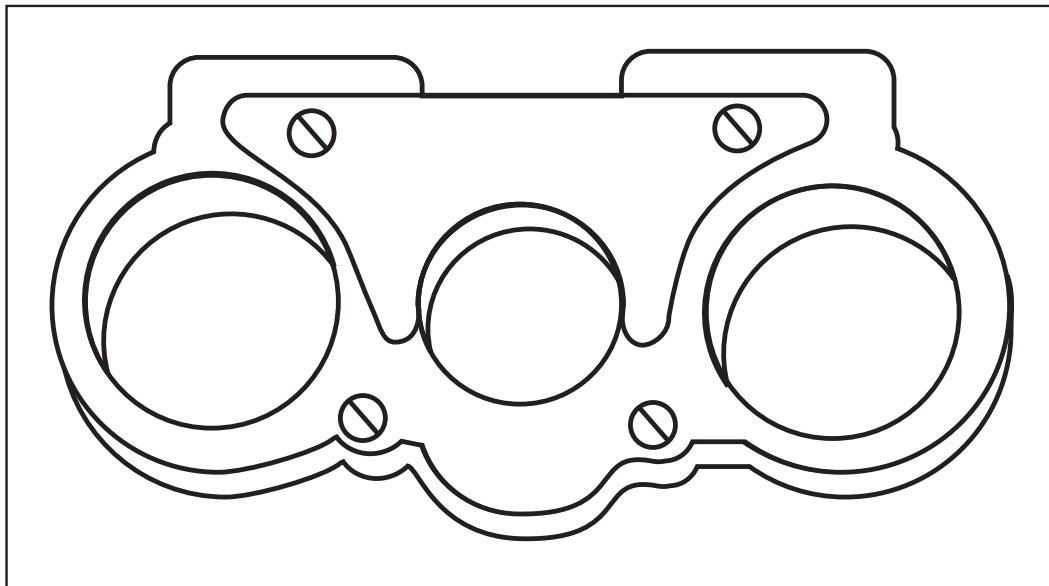


A-11808 GAUGE BRACKET



APCO GAUGE HOLDER KIT

Attractive Remake of Original Model A Ford Accessory

- Package Includes:
1. (4) 8/32" x 1 1/4" Stainless Screws
 2. (1) "W" Face Plate
 3. (1) Steering Column Mounted Gauge Holder
 4. (1) Black Backing Plate

