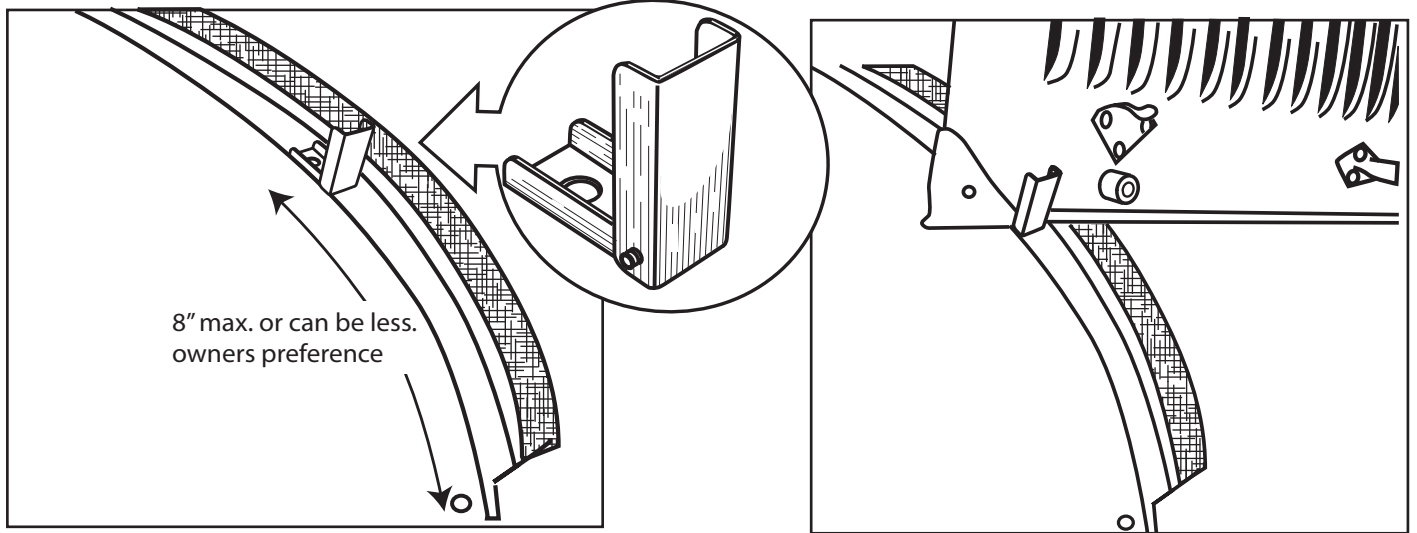
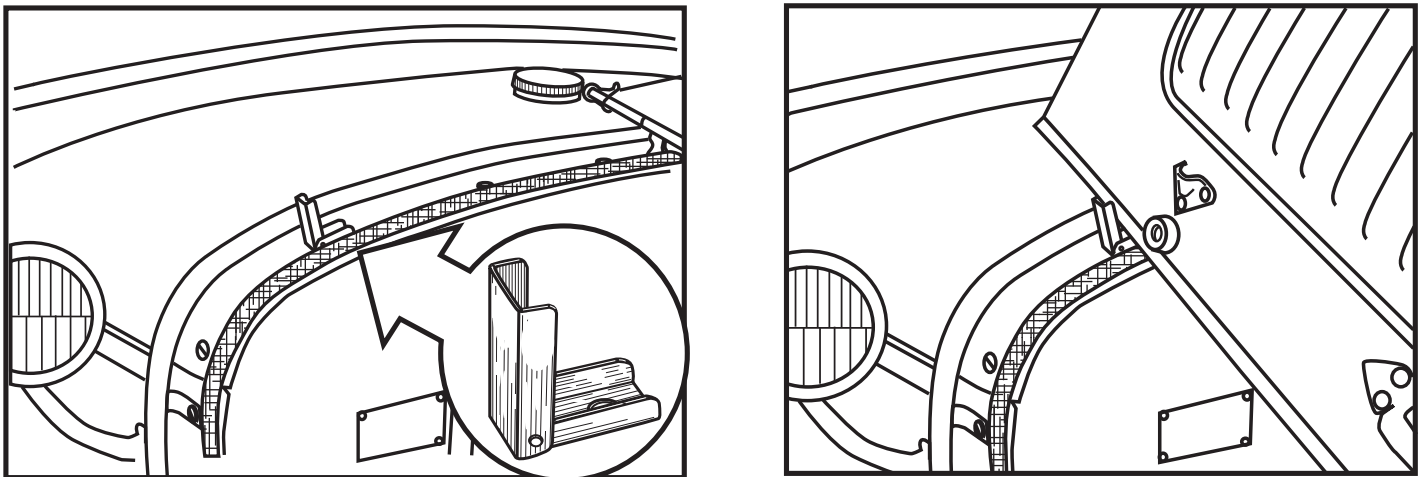


A-16608-X HOOD PROP CLIP MOUNTING INSTRUCTIONS

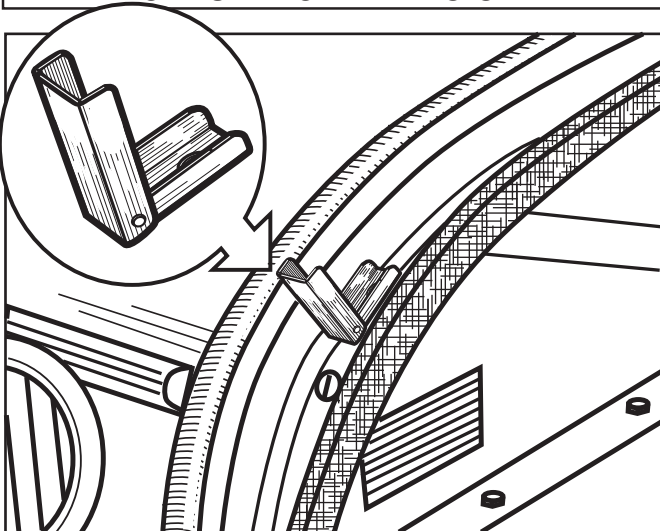
1928-29



1930-31



1928-29 4 Door



All 28-9's except the 4-doors will mount per the drawing labeled 1928-29. The clip will mount in the recessed groove just behind the cowl lacing. Measure up 8" per the drawing and drill a 15/64" hole. Be sure the hole is centered in the groove or the clip will bind and not close properly. Mount the clip per the illustration using the provided hardware.

If you have a 28-9 4-door or Cabriolet, please refer to the 1928-29 4-dr drawing. You will have to drill a hole in the lip just like we described above but the clip will be mounted just above the screw that is in line with the top of the cowl bead.

All 1930-31's will mount using one of your existing gas tank to firewall screws so no drilling is required. Simply remove the screw per the illustration and attach the prop clip using that same screw.

In your kit you will have two pieces of hard plastic tubing that has been slit. This tubing will slide over the rounded lip at the bottom of your hood to protect the paint where it contacts the prop clips.